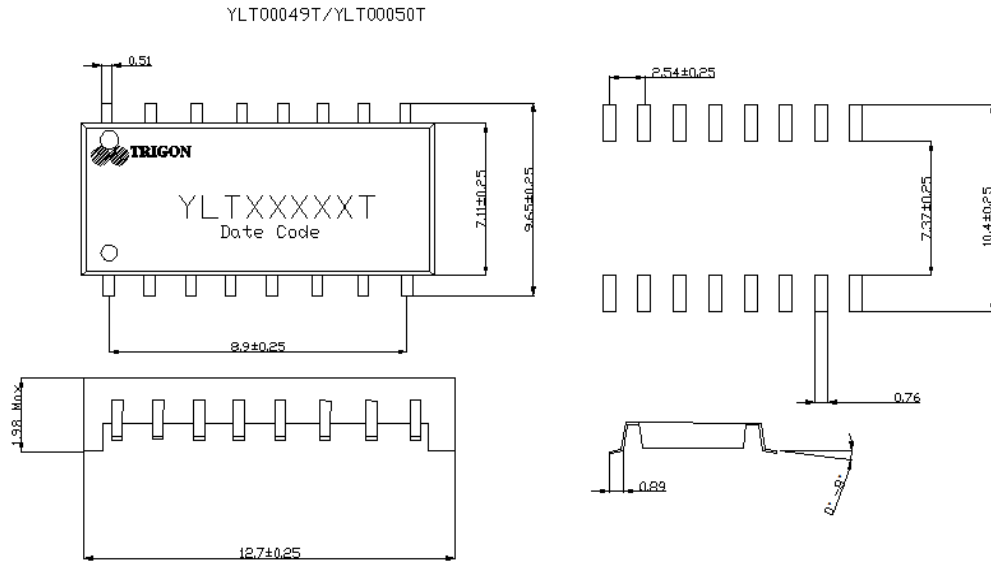


YLT Series

10/100 PC CARD LAN Magnetics Modules-Low Profile

TRIGON
COMPONENTS



FEATURES

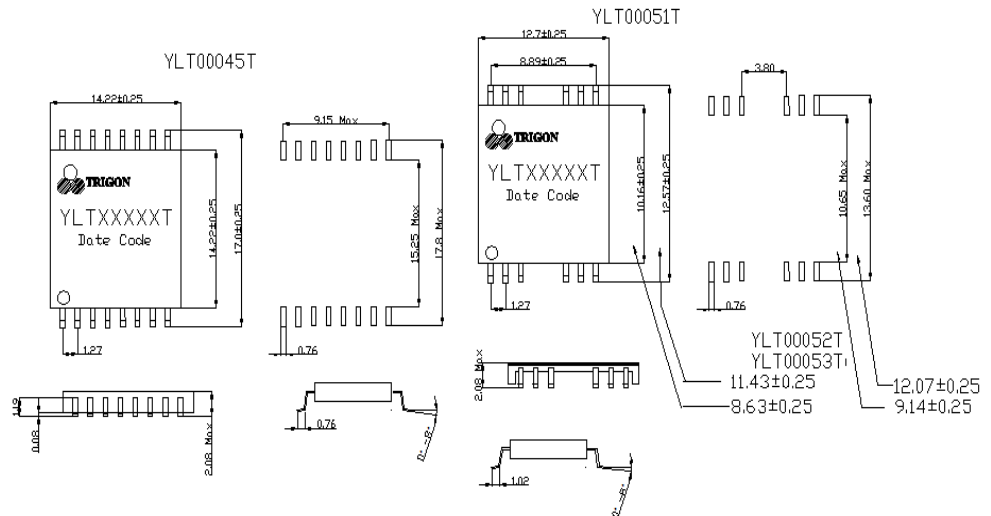
- RoHS peak reflow temperature rating 245°C.
- Low profile packages from 2.39mm to 1.98mm for PC card and cardbus application.

ORDERING CODE

YLT XXXXX T

(1) (2) (3)

- (1) LAN Transformer
- (2) Series code
- (3) Package
(T= Tape & Reel)



YLT Series

10/100 PC CARD LAN Magnetics Modules-Low Profile

TRIGON
COMPONENTS

Electrical Specification @ 25°C, Operating Temperature 0°C~70°C

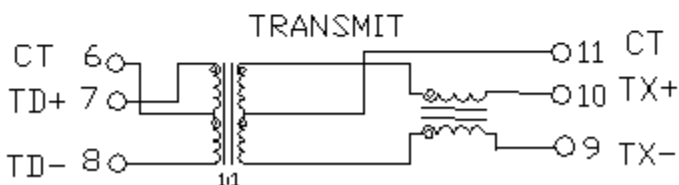
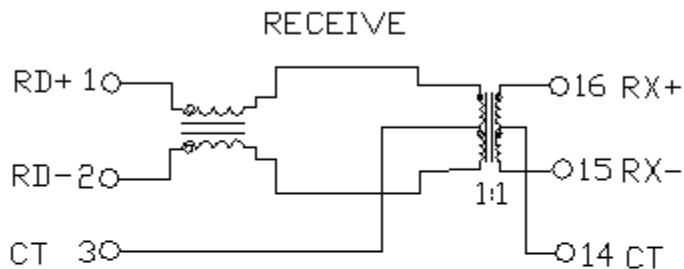
Part Number	Turns Ratio ±5%		Insertion Loss dB Max	Return Loss dB Min		
	TX	Rx		100KHZ~100MHZ	30MHZ	60MHZ
YLT00048T	1:1	1:1	-0.9	-16	-12	-11
YLT00049T	1:1	1:1	-0.9	-16	-12	-11
YLT00050T	1:1	1:1	-0.9	-18	-12	-11
YLT00051T	1:1	1:1	-1.0	-16	-12	-12
YLT00052T	1:1	1:1	-2.0	-18	-14	-12
YLT00053T	1:1	1:1	-2.0	-18	-12	-12

Part Number	Differential To Common Mode Rejection dB TYP			Crosstalk dB TYP			Hipot (Vrms Min)
	30MHZ	50MHZ	100MHZ	30MHZ	60MHZ	100MHZ	
YLT00048T	-35	-33	-20	-50	-45	-40	1500
YLT00049T	-35	-33	-20	-50	-45	-40	1500
YLT00050T	-40	--	-30	-45	-45	-37	1500
YLT00051T	-42	--	-33	-45	-40	-35	1500
YLT00052T	-40	-35	-30	-50	-45	-40	1500
YLT00053T	-40	-45	-30	-45	-45	-37	1500

- OCL: 350uH min. with 8mA applied.
- MSL: 2

Schematics

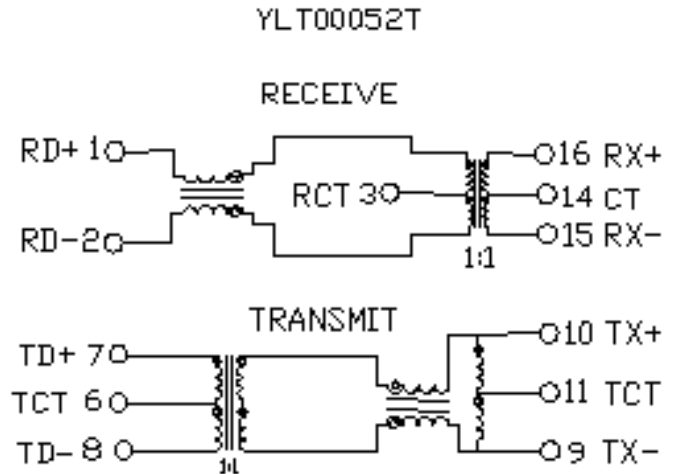
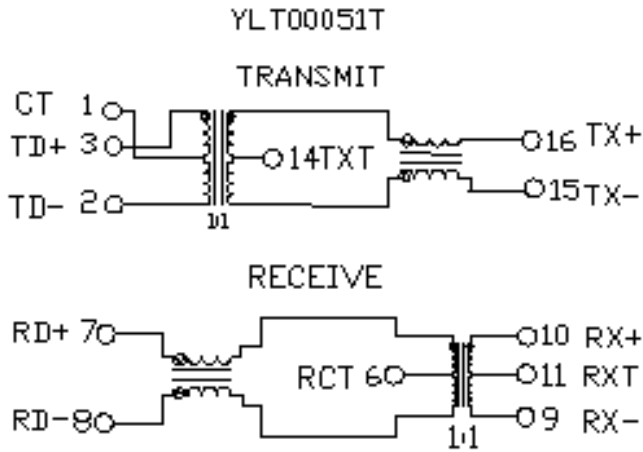
YLT00048T/YLT00049T/YLT00050T/YLT00053T



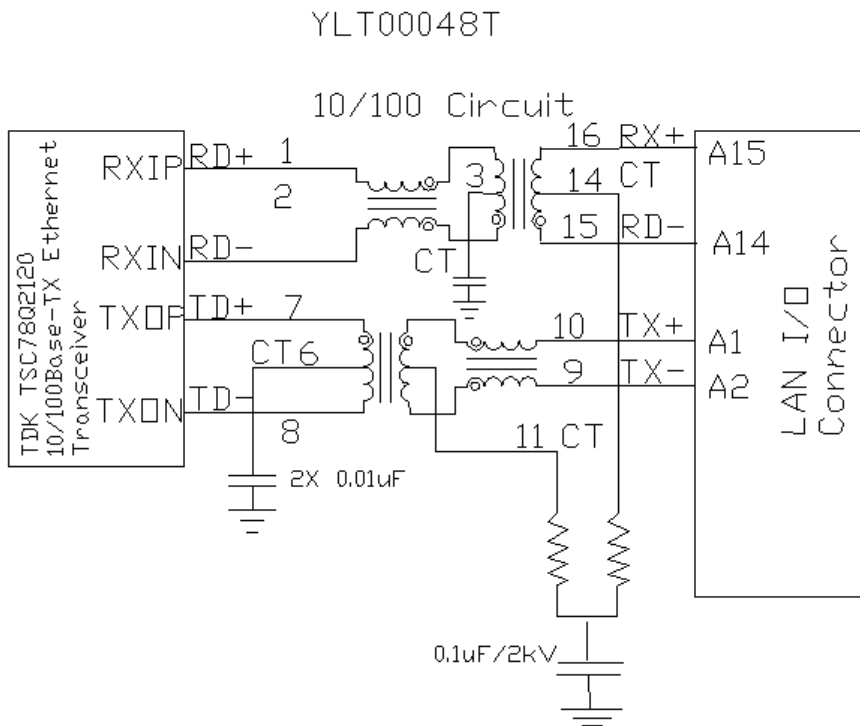
YLT Series

10/100 PC CARD LAN Magnetics Modules-Low Profile

TRIGON
COMPONENTS



Application Circuit



YLT Series

10/100 PC CARD LAN Magnetics Modules-Low Profile

TRIGON
COMPONENTS

Contact Information



- USA OFFICE**
Add: 939 Mariner Street Brea, CA 92821 U.S.A
Tel: +1-714-990-1367
Fax: +1-714-990-1459
Email: sales@trigoncomponents.com
- TAIWAN OFFICE**
Add: 5F, No.37, Lane 221 Gang Qian Road, Nei-Hu Taipei, Code 114, Taiwan
Tel: +886-2-2657-6216
Fax: +886-2-2657-5296
Email: salesTW@trigoncomponents.com
- SHANGHAI OFFICE**
Add: Rm 1710, No. 1258, Yu Yuan Road, Chang Ning District, Shanghai, 200050, China
Tel: +86-21-52372201~03
Fax: +86-21-52372205
Email: salesSH@trigoncomponents.com
- HONGKONG OFFICE**
Add: Rm. 802, 8/F., Shun Kwong Commercial Building, No. 8 Des Voeux Road West, Sheung Wan, Hong Kong
Tel: +852-2975-9084~5
Fax: +852-2975-9086
Email: salesHK@trigoncomponents.com
- CHINA MANUFACTURING PLANT**
Add: No.551, Ju Jin Road, Zhangpu, Kunshan, China
Tel: +86-512-5517-3688
Fax: +86-512-5517-3788
- BRASIL SALES REP OFFICE**
Add: Calçada das Palmas, 20 – sala 01 – 1 andar Centro Comercial de Alphaville CEP 06453-041 – Barueri – São Paulo – Brasil
Tel: +55-11-4688-1960
Fax: +55-11-4191-6758
- KOREA SALES REP OFFICE**
Add: 445-160 1F 129-5 Bansong-Dong Hwaseong-Si Gyeonggi-Do Korea
Tel: +82-31-8015-3477
- FRANCE SALES REP OFFICE**
Add: 19 Rue Vivienne, Paris, France
Tel: +33-6-0715-5528