

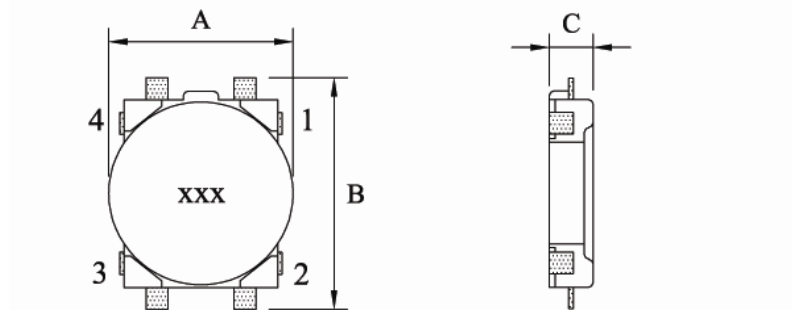
ISDU Series

SMT Unshielded Power Inductor – ISDU4011, ISDU4013

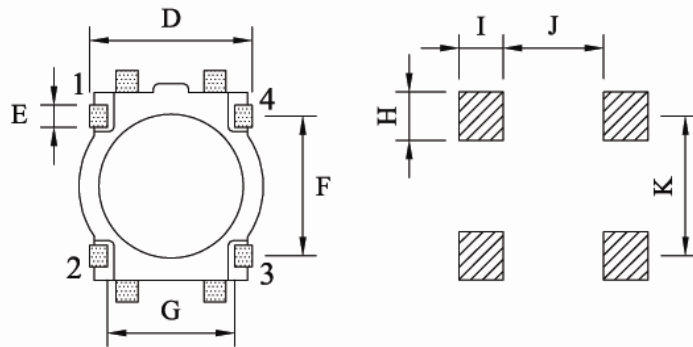
TRIGON
COMPONENTS



Configurations:



Land Pattern



FEATURES

- Open Magnetic circuit construction.
- Low Profile

APPLICATION

- LCD Driver, Cellular Phone, Small DC/DC converter, Transformers, etc.

ORDERING CODE

ISDU4011 **M** **100** **T**
(1) (2) (3) (4)

(1) SMT Unshielded Power Inductors.

ISDU4011, ISDU4013

(2) Tolerance: M 20%, N 30%.

(3) Inductance.

(4) Package

Dimension (mm)

ITEM	A (max)	B (max)	C (max)	D	E	F	G	H	I	J	K
ISDU 4011	4.4	5.8	1.2	3.7	0.5	3.2	2.9	0.8	1.4	2.5	3.2
ISDU 4013	4.4	5.8	1.45	3.7	0.5	3.2	2.9	0.8	1.4	2.5	3.2

※Design as Customer's Requested Specifications.

Inductance Ranges:

Item	μ H
ISDU4011	2.20 ~ 47.00
ISDU4013	3.30 ~ 100.00

Inductor

ISDU Series

SMT Unshielded Power Inductor – ISDU4011, ISDU4013

TRIGON
COMPONENTS

Electrical Characteristics for ISDU4011 Series

Part Number	Inductance (μH)	Test Freq. (KHz)	DCR (Ω) (max)	IDC (A) (max)
ISDU4011M2R2	2.20	100	0.116	0.95
ISDU4011M3R3	3.30	100	0.174	0.77
ISDU4011M4R7	4.70	100	0.216	0.75
ISDU4011M6R8	6.80	100	0.296	0.62
ISDU4011M100	10.00	100	0.457	0.50
ISDU4011M150	15.00	100	0.676	0.40
ISDU4011M220	22.00	100	1.066	0.30
ISDU4011M330	33.00	100	1.647	0.24
ISDU4011M470	47.00	100	2.843	0.18

※Test Freq. : 100KHz / 0.1V_r

※Operating Temp. : -40 ~ +85

※Inductance drop=10% typ. at IDC.

Electrical Characteristics for ISDU4013 Series

Part Number	Inductance (μH)	Test Freq. (KHz)	DCR (Ω) (max)	IDC (A) (max)
ISDU4013M3R3	3.30	100	0.160	0.85
ISDU4013M4R7	4.70	100	0.194	0.80
ISDU4013M6R8	6.80	100	0.276	0.65
ISDU4013M100	10.00	100	0.335	0.57
ISDU4013M150	15.00	100	0.508	0.45
ISDU4013M220	22.00	100	0.766	0.37
ISDU4013M330	33.00	100	1.162	0.28
ISDU4013M470	47.00	100	1.658	0.22
ISDU4013M680	68.00	100	2.534	0.18
ISDU4013M101	100.00	100	3.304	0.17

※Test Freq. : 100KHz / 0.1V_r

※Operating Temp. : -40 ~ +85

※Inductance drop=10% typ. at IDC.