

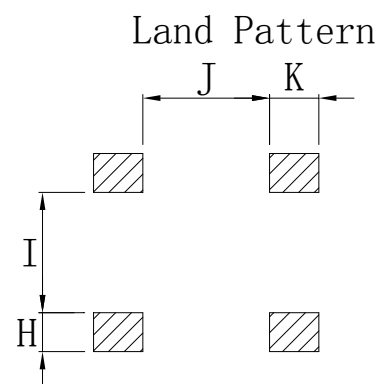
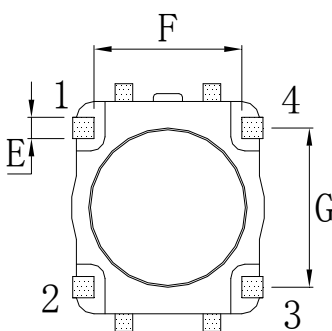
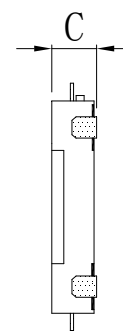
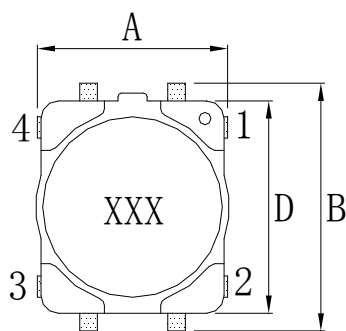
ISDU Series

SMT Unshielded Power Inductor – ISDU5011, ISDU5013

TRIGON
COMPONENTS



Configurations:



Inductor

FEATURES

- Open Magnetic circuit construction.
- Low Profile

APPLICATION

- LCD Driver, Cellular Phone, Small DC/DC converter, Transformers, etc.

ORDERING CODE

ISDU5011 M 100 T
(1) (2) (3) (4)

(1) SMT Unshielded Power Inductors.

ISDU5011, ISDU5013

(2) Tolerance: M 20%, N 30%.

(3) Inductance.

(4) Package

Dimension (mm)

| ITEM | A (max) | B (max) | C (max) | D | E | F | G | H | I | J | K |
|------------------|------------|------------|------------|-----|-----|-----|-----|-----|-----|-----|-----|
| ISDU 5011 | 5.8 | 7.4 | 1.2 | 6.0 | 0.6 | 4.2 | 4.5 | 1.1 | 3.4 | 3.6 | 1.4 |
| ISDU 5013 | 5.8 | 7.4 | 1.5 | 6.0 | 0.6 | 4.2 | 4.5 | 1.1 | 3.4 | 3.6 | 1.4 |

※Design as Customer's Requested Specifications.

Inductance Ranges:

| Item | μ H |
|-----------------|--------------|
| ISDU5011 | 3.30 ~100.00 |
| ISDU5013 | 3.30 ~ 47.00 |

ISDU Series

SMT Unshielded Power Inductor – ISDU5011, ISDU5013

TRIGON
COMPONENTS

Electrical Characteristics for ISDU5011 Series

| Part Number | Inductance (μH) | Test Freq. (KHz) | DCR (Ω) (max) | IDC (A) (max) |
|--------------|-----------------|------------------|---------------|---------------|
| ISDU5011M3R3 | 3.30 | 100 | 0.109 | 0.94 |
| ISDU5011M4R7 | 4.70 | 100 | 0.156 | 0.80 |
| ISDU5011M6R8 | 6.80 | 100 | 0.216 | 0.65 |
| ISDU5011M100 | 10.00 | 100 | 0.275 | 0.53 |
| ISDU5011M150 | 15.00 | 100 | 0.438 | 0.40 |
| ISDU5011M220 | 22.00 | 100 | 0.663 | 0.36 |
| ISDU5011M330 | 33.00 | 100 | 0.975 | 0.32 |
| ISDU5011M470 | 47.00 | 100 | 1.380 | 0.26 |
| ISDU5011M680 | 68.00 | 100 | 1.700 | 0.23 |
| ISDU5011M101 | 100.00 | 100 | 2.800 | 0.20 |

- ※Test Freq. : 100KHz / 0.1V_r
- ※Operating Tep. : -40 ~ +85
- ※Inductance drop=10% typ. at IDC.

Electrical Characteristics for ISDU5013 Series

| Part Number | Inductance (μH) | Test Freq. (KHz) | DCR (Ω) (ax) | IDC (A) (ax) |
|--------------|-----------------|------------------|--------------|--------------|
| ISDU5013M3R3 | 3.30 | 100 | 0.081 | 1.25 |
| ISDU5013M4R7 | 4.70 | 100 | 0.106 | 1.20 |
| ISDU5013M6R8 | 6.80 | 100 | 0.144 | 0.90 |
| ISDU5013M100 | 10.00 | 100 | 0.187 | 0.85 |
| ISDU5013M150 | 15.00 | 100 | 0.300 | 0.57 |
| ISDU5013M220 | 22.00 | 100 | 0.431 | 0.54 |
| ISDU5013M330 | 33.00 | 100 | 0.637 | 0.38 |
| ISDU5013M470 | 47.00 | 100 | 0.875 | 0.35 |

- ※Test Freq. : 100KHz / 0.1V_r
- ※Operating Tep. : -40 ~ +85
- ※Inductance drop=10% typ. at IDC.