

YLT Series

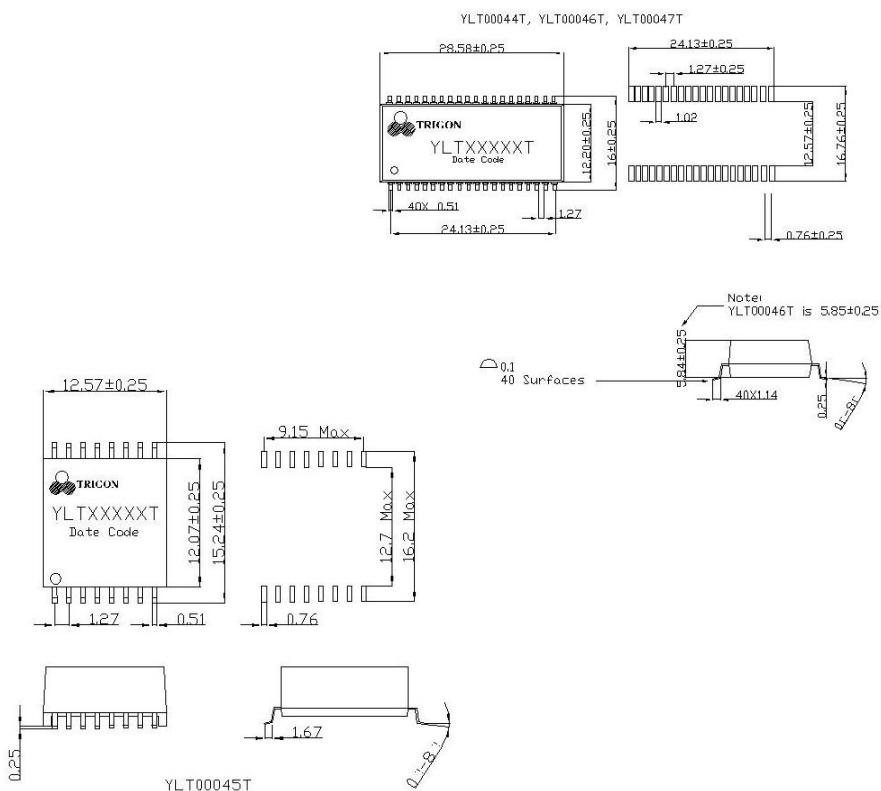
10/100 Base-TX Transformer modules-For Auto MDI/MDIX Applications

TRIGON
COMPONENTS



FEATURES

- Quad Port Configuration
- Surface Mount
- Optional Pin-Outs
- Industrial Standard Connector Foot Print
- Optimum Performance
- Cost Effective
- RoHS peak reflow temperature rating 245°C.
- Meets IEEE 802.3 specification.
- Symmetrical transmit and receive channels for Auto MDI/MDIX capability
- Approved for use with the Broadcom BCM5226 and Level One LXT9784



Electrical Specifications @ 25°C, Operating temperature 0°C ~ +70°C

Part Number	Insertion Loss (dB TYP)	Return Loss (dB Min)			
		0.1-100MHZ	2-30MHZ	40MHZ	50MHZ
YLT00044T	-1.0	-18	--14.4	-13.1	-12
YLT00045T	-1.0	-18	--14.4	-13.1	-12
YLT00046T	-1.0	-18	--14.4	-13.1	-12
YLT00047T	-1.4	-18	--14.4	-13.1	-12

Part Number	Crosstalk (dB TYP)				Differential to Common Mode Rejection (dB TYP)		Hipot (Vrms MIN)
	1 MHZ	30 MHZ	60 MHZ	100 MHZ	1-60 MHZ	60-200 MHZ	
YLT00044T	-65	-50	-40	-35	-40	-35	1500
YLT00045T	-65	-50	-40	-35	-40	-35	1500
YLT00046T	-65	-45	-40	-33	-37	-25	1500
YLT00047T	-65	-45	-40	-33	-37	-25	1500

- OCL: 350uH min. with 8mA applied.
- MSL: 3
- Transformers with Operating temperature @ -40°C ~ +85°C are available upon request.

ORDERING CODE

YLT XXXXX T
(1) (2) (3)

- (1) LAN Transformer
- (2) Series code
- (3) Package
(T= Tape & Reel)

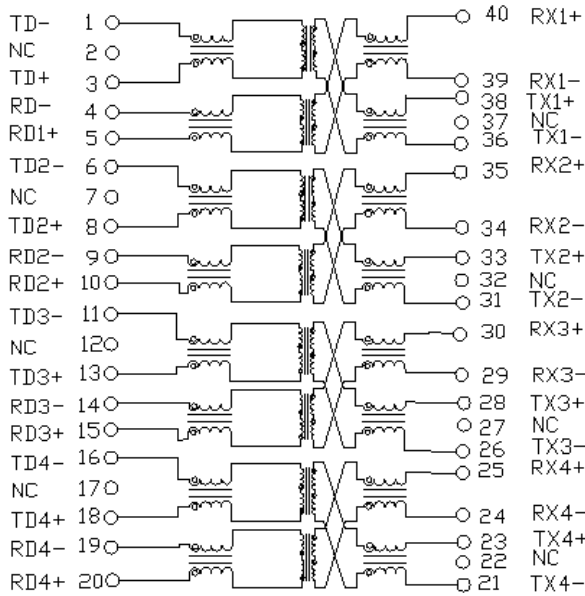
YLT Series

10/100 Base-TX Single Part Transformer modules-For Auto MDI/MDIX

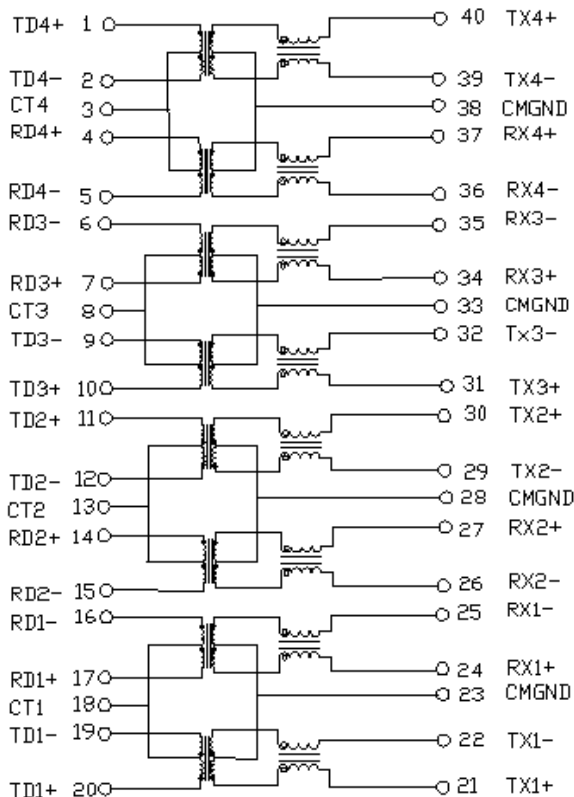
TRIGON
COMPONENTS

Schematics

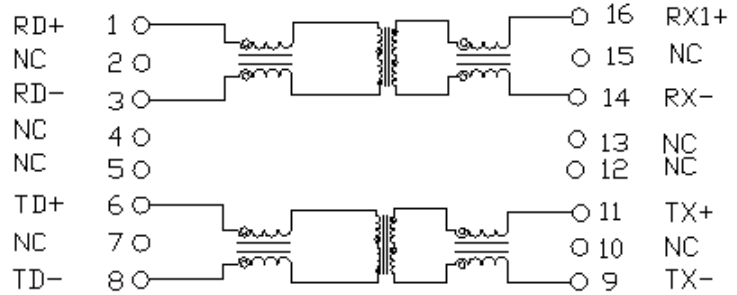
YLT00044T



YLT00046T/YLT00047T



YLT00045T



YLT Series

10/100 Base-TX Single Part Transformer modules-FOR Auto MDI/MDIX

TRIGON
COMPONENTS

Bar Code Label

TRIGON	
CP/No: ***** 	RoHS Compliant
P/No: YLT ***** 	
Description: Multilayer Ferrite Chip Beads	LOT NO: XXXXXXXX
Q/ty: ****PCS 	D/C: ***** D/O: PO*****
Made in China	

Contact Information



- USA OFFICE**
Add: 939 Mariner Street Brea, CA 92821 U.S.A
Tel: +1-714-990-1367
Fax: +1-714-990-1459
Email: sales@trigoncomponents.com
- TAIWAN OFFICE**
Add: 5F, No.37, Lane 221 Gang Qian Road, Nei-Hu Taipei, Code 114, Taiwan
Tel: +886-2-2657-6216
Fax: +886-2-2657-5296
Email: salesTW@trigoncomponents.com
- SHANGHAI OFFICE**
Add: Rm 1710, No. 1258, Yu Yuan Road, Chang Ning District, Shanghai, 200050, China
Tel: +86-21-52372201~03
Fax: +86-21-52372205
Email: salesSH@trigoncomponents.com
- HONGKONG OFFICE**
Add: Rm. 802, 8/F., Shun Kwong Commercial Building, No. 8 Des Voeux Road West, Sheung Wan, Hong Kong
Tel: +852-2975-9084~5
Fax: +852-2975-9086
Email: salesHK@trigoncomponents.com
- CHINA MANUFACTURING PLANT**
Add: No.551, Ju Jin Road, Zhangpu, Kunshan, China
Tel: +86-512-5517-3688
Fax: +86-512-5517-3788
- BRASIL SALES REP OFFICE**
Add: Calçada das Palmas, 20 – sala 01 – 1 andar Centro Comercial de Alphaville CEP 06453-041 – Barueri – São Paulo – Brasil
Tel: +55-11-4688-1960
Fax: +55-11-4191-6758
- KOREA SALES REP OFFICE**
Add: 445-160 1F 129-5 Bansong-Dong Hwaseong-Si Gyeonggi-Do Korea
Tel: +82-31-8015-3477
- FRANCE SALES REP OFFICE**
Add: 19 Rue Vivienne, Paris, France
Tel: +33-6-0715-5528