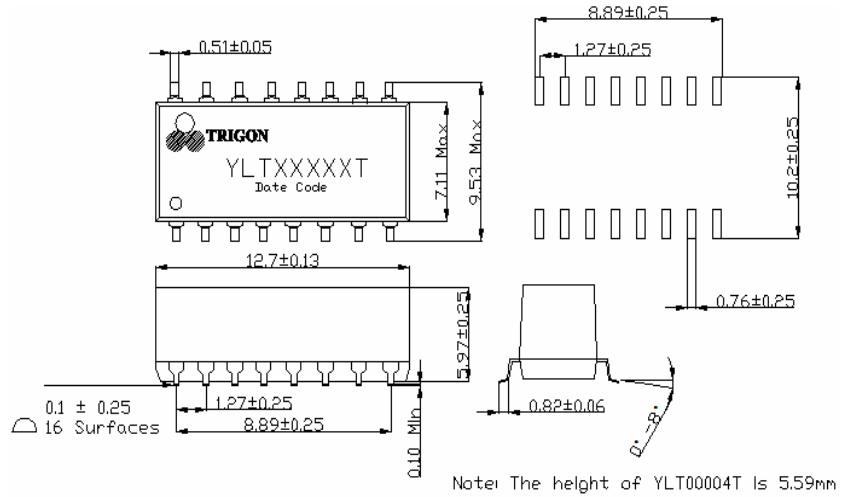


YLT Series

10/100 Base-TX Single Port Transformer Modules SOIC package

TRIGON
COMPONENTS



FEATURES

- Industry Standard Connector Foot Print
- Optional Pin-Outs
- RoHS peak reflow temperature rating 245°C.
- Meets IEEE 802.3 specification.
- Surface Mount
- Cost Effective
- Optimum Performance
- Compact footprint for use in the most space-restrictive applications

Electrical Specification @ 25°C, Operating Temperature 0°C ~ +70°C

Part Number	Turns Ratio ±5%		Insertion Loss dB Max 100KHZ~100MHZ	Return Loss dB Min		
	TX	Rx		30MHZ	60MHZ	80MHZ
YLT00002T	1.25:1	1:1	-1.1	-20	-14	-11.5
YLT00004T	1:1	1:1	-1.1	-18	-12	-11.5
YLT00006T	1:1	1:1	-1.1	-20	-14	-11.5
YLT00028T	2:1	1:1	-1.1	-20	-14	-11.5
YLT00029T	1:1.414	1:1	-1.1	-18	-12	-11.5
YLT00030T	1:1	1:1	-0.9	-18	-12	-11
YLT00031T	1:1	1:1	-1.0	-20	-14	-12
YLT00032T	1:1	1:1	-1.0	-20	-14	-12
YLT00033T	1:1	1:1	-1.1	-16	-10	-10

ORDERING CODE

YLT XXXXX T
(1) (2) (3)

- (1) LAN Transformer
- (2) Series code
- (3) Package
(T= Tape & Reel)

Part Number	Differential To Common Mode Rejection dB TYP			Crosstalk dB TYP			Hipot (Vrms Min)
	30MHZ	50MHZ	100MHZ	30MHZ	60MHZ	100MHZ	
YLT00002T	-42	-37	-33	-45	-40	-35	1500
YLT00004T	-42	-37	-30	-45	-40	-35	1500
YLT00006T	-42	-37	-33	-45	-45	-35	1500
YLT00028T	-42	-37	-33	-45	-40	-35	1500
YLT00029T	-42	-37	-33	-45	-40	-35	1500
YLT00030T	-40	-35	-30	-45	-45	-37	1500
YLT00031T	-42	-37	-32	-45	-40	-35	1500
YLT00032T	-42	-37	-32	-45	-40	-35	1500
YLT00033T	-42	-37	-32	-35	-30	-30	1500

- OCL: 350uH min. with 8mA applied.
- MSL: 2
- Transformers with Operating temperature @ -40°C ~ +85°C are available upon request.

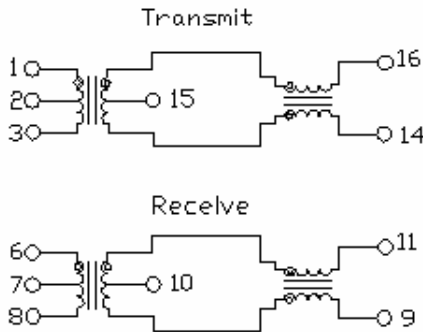
YLT Series

10/100 Base-TX Single Port Transformer Modules SOIC Package

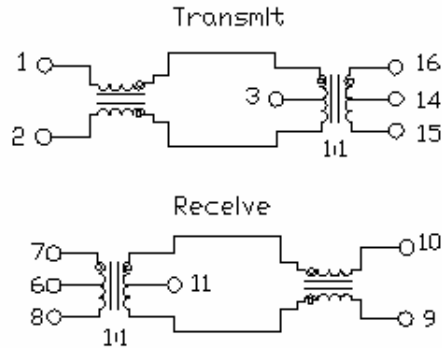
TRIGON
COMPONENTS

Schematics

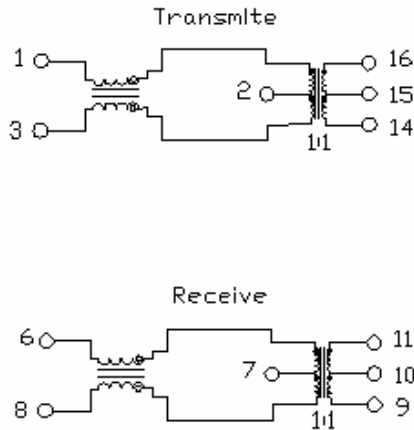
YLT00028T/YLT00029T/YLT00031T



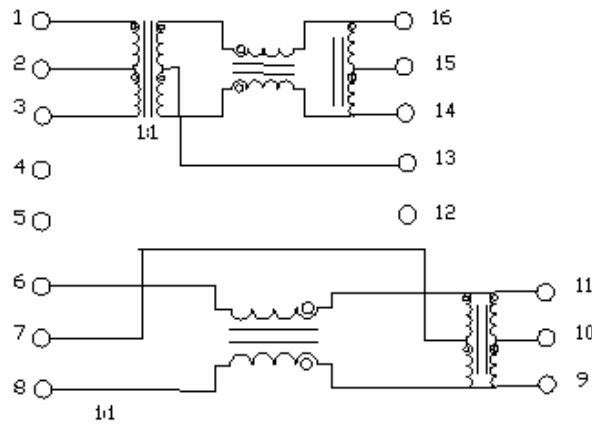
YLT00030T



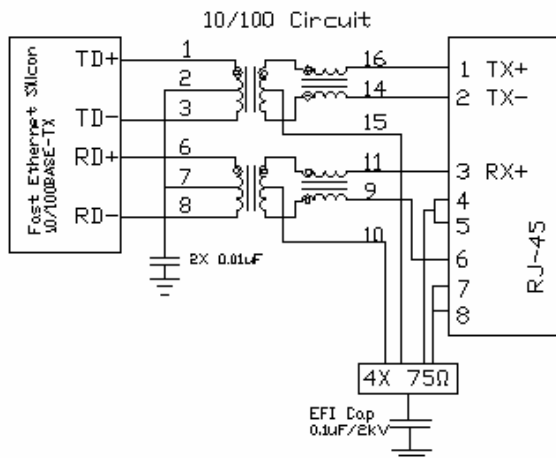
YLT00032T/YLT00004T



YLT00033T



YLT00006T



Contact Information



- USA OFFICE**
Add: 939 Mariner Street Brea, CA 92821 U.S.A
Tel: +1-714-990-1367
Fax: +1-714-990-1459
Email: sales@trigoncomponents.com
- TAIWAN OFFICE**
Add: 5F, No.37, Lane 221 Gang Qian Road, Nei-Hu Taipei, Code 114, Taiwan
Tel: +886-2-2657-6216
Fax: +886-2-2657-5296
Email: salesTW@trigoncomponents.com
- SHANGHAI OFFICE**
Add: Rm 1710, No. 1258, Yu Yuan Road, Chang Ning District, Shanghai, 200050, China
Tel: +86-21-52372201~03
Fax: +86-21-52372205
Email: salesSH@trigoncomponents.com
- HONGKONG OFFICE**
Add: Rm. 802, 8/F., Shun Kwong Commercial Building, No. 8 Des Voeux Road West, Sheung Wan, Hong Kong
Tel: +852-2975-9084~5
Fax: +852-2975-9086
Email: salesHK@trigoncomponents.com
- CHINA MANUFACTURING PLANT**
Add: No.551, Ju Jin Road, Zhangpu, Kunshan, China
Tel: +86-512-5517-3688
Fax: +86-512-5517-3788
- BRASIL SALES REP OFFICE**
Add: Calçada das Palmas, 20 – sala 01 – 1 andar Centro Comercial de Alphaville CEP 06453-041 – Barueri – São Paulo – Brasil
Tel: +55-11-4688-1960
Fax: +55-11-4191-6758
- KOREA SALES REP OFFICE**
Add: 445-160 1F 129-5 Bansong-Dong Hwaseong-Si Gyeonggi-Do Korea
Tel: +82-31-8015-3477
- FRANCE SALES REP OFFICE**
Add: 19 Rue Vivienne, Paris, France
Tel: +33-6-0715-5528